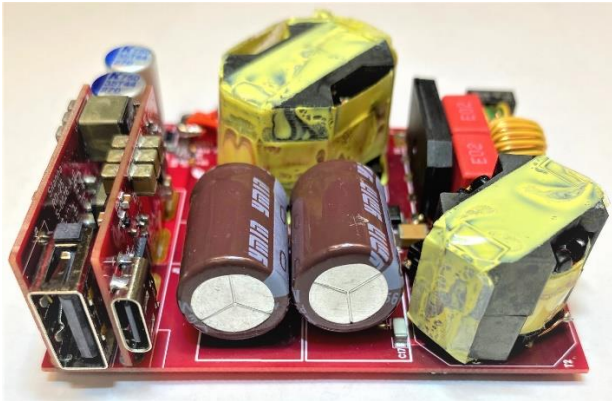


118W 1C1A Multi-Port USB-PD Reference Design using Integrated ACF Controller and High Efficiency Buck Converters (RD-25)

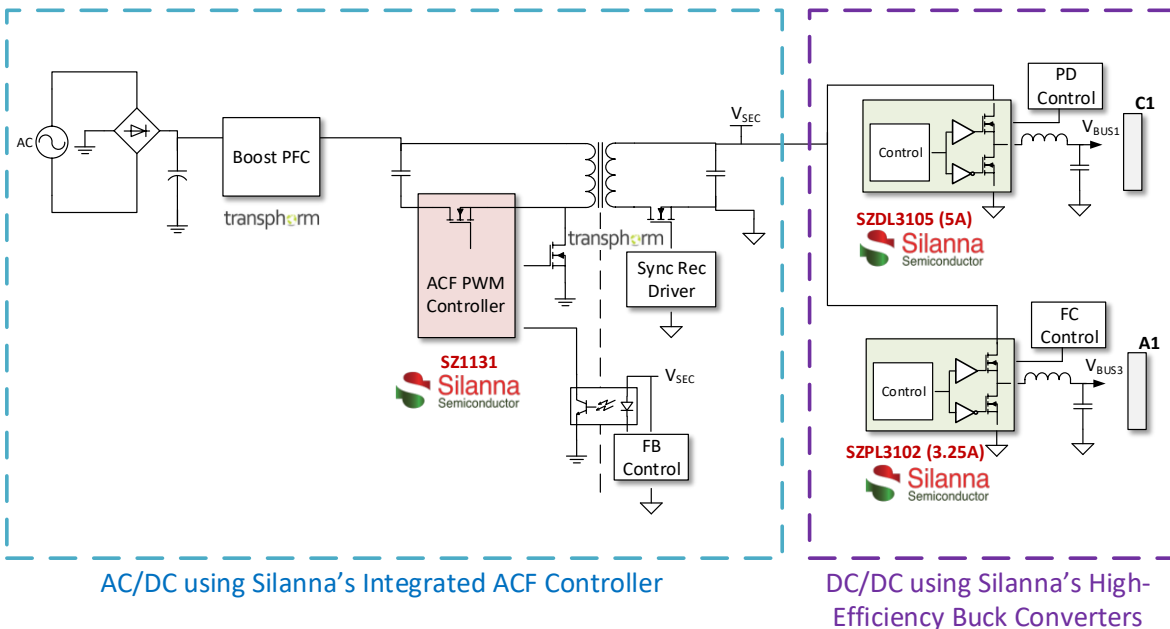
Silanna Semiconductor's SZ1131 paired with SZDL3105, SZPL3102 and Transphorm's TP65H150LSG deliver best-in-class power density and performance



Key Specs:

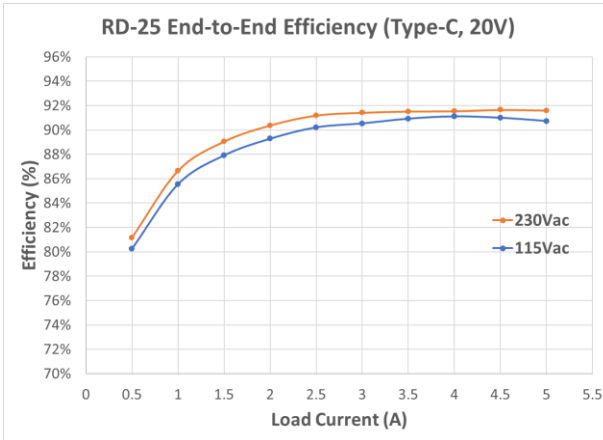
Input: 90-265 VAC
 Output Power: 118W Max
 Output Ports: 1C1A
 Type-C Ports: 100W Max (5V/3A, 9V/3A, 15V/3A, 20V/5A and PPS)
 Type-A Port: 18W Max, QC 2/3 (5V/3A, 9V/2A)
 Power Density: 26W/inch³ (uncased)
 Dimensions: 67mm x 54mm x 20.5mm

Schematics



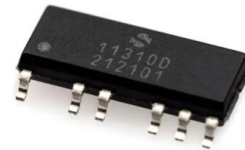
118W 1C1A Multi-Port USB-PD Reference Design using Integrated ACF Controller and High Efficiency Buck Converters (RD-25)

Silanna Semiconductor's SZ1131 paired with SZDL3105, SZPL3102 and Transphorm's TP65H150LSG deliver best-in-class power density and performance



SZ1131 (Fully Integrated Active Clamp Flyback Controller) – Full Production Released

- Integrated UHV active clamp FET, active clamp driver and start-up regulator
- Capable of delivering > 95% efficiency
- OptiMode™ cycle-by-cycle adaptive digital control
- Ultra-low no-load power consumption
- Up to 65W output power for universal input
- 100W+ output power with front-end PFC
- 16-pin SOIC package



CO₂ Smart Power
from Silanna Semiconductor

SZDL3105 (High Voltage, High Efficiency, 100W Buck Converter) – Full Production Released

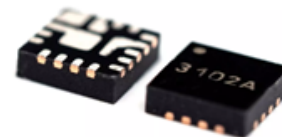
- 667 kHz switching frequency
- Optimal high efficiencies for 3.3 V to 21 V Vout
- Maximum output current of 5 A
- Wide input voltage range: 7 V to 27 V
- Selectable soft-start times
- OCP/OVP/OTP protections
- Programmable UVLO
- 4 mm x 4 mm QFN package



CO₂ Smart Power
from Silanna Semiconductor

SZPL3102 (High Voltage, High Efficiency, 65W Buck Converter) – Full Production Released

- Selectable switching frequency up to 2 MHz
- Optimal high efficiencies for 3.3 V to 21 V Vout
- Maximum output current of 3.25 A
- Wide input voltage range: 7 V to 27 V
- Selectable soft-start times
- OCP/OVP/OTP protections
- Programmable UVLO
- 3 mm x 3 mm QFN package



CO₂ Smart Power
from Silanna Semiconductor

For more information please visit: www.powerdensity.com